

Make sure your name and address are written here.

Age: _____

Name: _____

Address: _____

Class Leader: _____

Bible version used to complete lesson: _____

**“The Lord looked with favour
on Abel and his offering.”**

Genesis 4: 4

STUDY 1: Cain and Abel

Worshipping God



READ:
Genesis 4: 1-16



KEY VERSE:
Hebrews 11: 4

The story of the book of Genesis moves rapidly on from the Creation. God had made everything and it was “very good”. Then there had been Adam and Eve’s “fall” into sin and God’s judgment upon them and all mankind. Now we have the tragedy of the first murder. This must have been one of the worst moments in the lives of Adam and Eve. Their act of disobedience to God had led their first son to murder his brother.

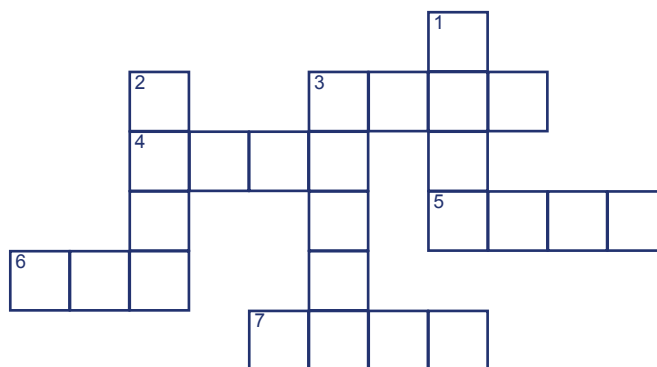


Suggested Further Reading: • Matthew 23: 34 & 35 • 1 John 3: 11 & 12 • Jude 11

Q: CROSSWORD

Clues Down

- The Lord put a _____ on Cain.
- Adam and Eve’s eldest son.
- God told Cain that his brother’s _____ was crying out to Him from the ground.



Clues Across

- Cain told God that his punishment was too much for him to _____ .
- Adam and Eve’s second son.
- God asked Cain where his brother was. Cain said that he did not _____ .
- God told Cain that _____ was crouching (lying) at the door.
- Cain went to live in the land of Nod (“Wandering”) east of _____ .

/8

At first glance, it might seem unfair that God was not prepared to accept Cain’s offering when He was happy with Abel’s. After all, both had brought something to offer to God from their everyday work! However, if we look into this carefully, we may discover things which help us to understand the situation better.

Q: Look at 1 John 3: 11 and 12. In these verses, to whom does it say Cain belonged?

/1

Q: According to 1 John 3: 12, why did Cain murder Abel?

/2

It would seem that Cain was jealous of Abel. We should not be like Cain.

Q: According to 1 John 3: 11, what should our attitude be to other people?

/1

Q: Look back to Genesis 3: 17-19. What did God do to the ground because of Adam's sin?

/1

Q: What did God say the ground would now produce?

/1

Q: What words in 3: 19, suggest that mankind would have to work very hard to get a harvest from the earth?

/1

Cain had worked very hard and his offering may have looked better than Abel's, but it wasn't what God wanted.

Q: Look at the Key Verse.

What did Abel have which Cain did not have?

/1

Q: What happened next? Fill in the missing words.

Cain was very .

Cain Abel.

Cain lied to God to try to cover up his .

God had to Cain.

/4

Abel believed God and obeyed what God told him to do. He offered God a better sacrifice than Cain. Abel came to God in the way which God wanted; which was by sacrificing an animal to make amends for his sins. If we want to come to God and be accepted by Him, we must come in God's way and that is through faith in the Lord Jesus Christ, who, on the cross, sacrificed Himself for us.

In verse 7 God warned Cain to be careful. But Cain did not listen. One sin soon led to another - and another!



Cain wanted to be accepted by God but on his own terms. A lot of people are like that. They say to God, "Look at all the good things I've done," or "I've never done anything really bad" and so they think that God should accept them into Heaven. But no one can ever be good enough. We are all sinners. We need to be cleansed by the blood of the Lord Jesus Christ (1 John 1: 7).

TOTAL:

STUDY 2: Enoch and Noah

Walking with God



READ:
Genesis 5: 21-32
6: 1-15



KEY VERSES:
Hebrews 11: 5-6

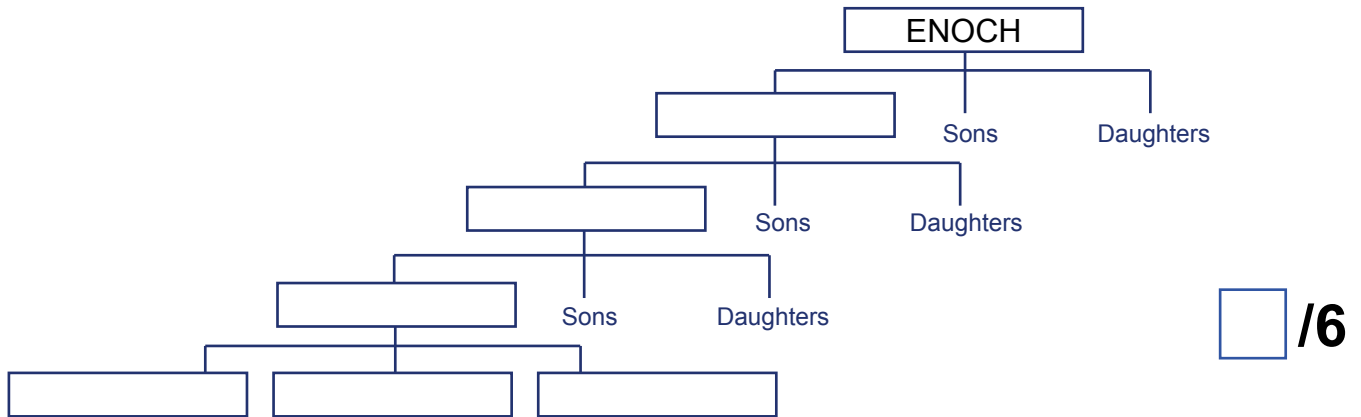
Enoch was seven generations on from Adam and was a descendant of Seth, the third son born to Adam and Eve. Enoch was a prophet (Jude 14 and 15). As the first prophet of God he brought a special message from God to the people. He warned them that the Lord would judge the ungodly.



Suggested Further Reading: • Psalm 86: 11-13 • Luke 17: 26 & 27 • Jude 14 & 15

FAMILY TREE

Q: Fill in the missing names. The first one is done for you.



Q: What relation was Enoch to Noah?

/1

Enoch's son, Methuselah, lived longer than any other person mentioned in the Bible. He was probably the oldest man who has ever lived.

Q: How old was he when he died?

/1

Enoch, however, did not die. He was one of only two men who left the world without dying, Elijah being the other. See 2 Kings 2: 11.

Q: When his life on earth was over, what happened to Enoch?

/1

Q: In the Key Verses, we read that Enoch, like Abel, had something. What was it?

/1

Q: In the same verses, what is Enoch commended for?

/1

“Without faith it is impossible to please God.” (Hebrews 11: 6)

Enoch and Noah are both described as men who “walked with God”. This means that they lived close to God as His friends. They are the only two men in the Bible of whom this is said.

Q: In chapter 6, what are we told about the kind of man Noah was?

/2

Noah stood out from everybody else. With God, no one is ever lost in a crowd. God knows each one of us individually. Sometimes we might prefer it if God didn't see everything we do and hear everything we say. He knows even our thoughts and motives - everything! There was sin and wickedness all around Noah, yet he stood out as different!

Q: As God looked down on the earth in Noah's day, what did He see?

/2

Q: How did God feel about this?

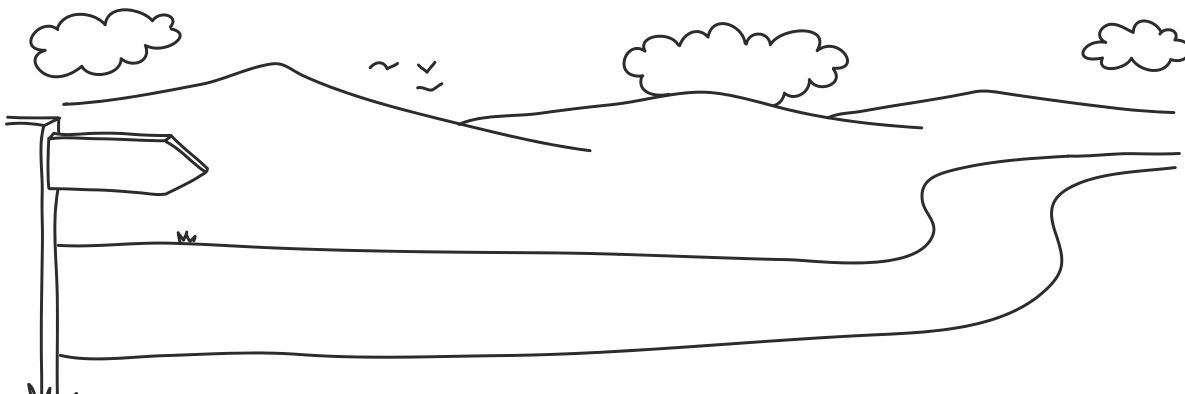
/2

Q: What did God decide to do?

/1

What does God see as He looks down on the earth today? Much the same as He saw in the time of Noah - and His heart is grieved. What does He see as He looks at your life? Do you stand out as different from everybody else because of your faith in God? Do you want to walk with God as Enoch and Noah did? Then make Psalm 86: 11 your prayer.

Q: Write out the first part of Psalm 86: 11 on the road below.



/2

TOTAL:

STUDY 3: Noah and the flood

Working for God



READ:
Genesis 6: 14-22
7: 1-24



KEY VERSE:
Hebrews 11: 7

God had a plan so that Noah and his family could escape His judgment. He gave Noah detailed instructions about making an Ark.



Suggested Further Reading: • Matthew 24: 37-39 • 1 Peter 3: 17-22
• 2 Peter 2: 4 & 5 • 2 Peter 3: 3-9

Q: What kind of wood was Noah to use?

/1

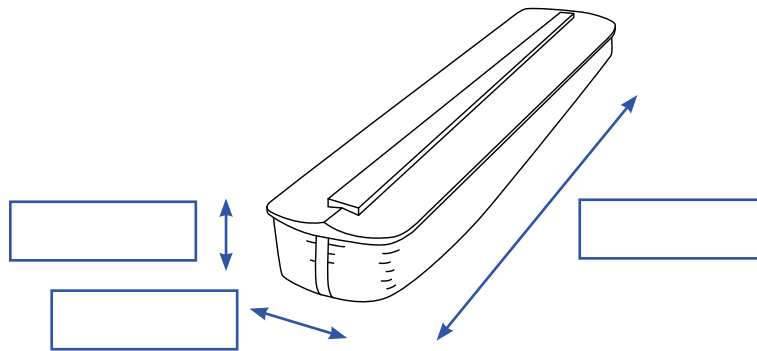
Q: With what was Noah to coat the Ark on the inside and outside?

/1

This was to make it waterproof.

Q: How big was the Ark?

Put each dimension beside the appropriate arrow.



/3

These dimensions are similar to the proportions of a modern ocean liner. In length, it was greater than a football pitch!

Q: How many decks (storeys) was it to have?

/1

God also gave Noah detailed instructions about what was to go into the Ark with him, the animals, birds, reptiles and food. Noah accepted God's instructions without hesitation.

Q: Write a verse from chapter 6 which tells us that Noah obeyed God's instructions.

/1

**Q: In chapter 7, many numbers are mentioned.
Find in which verse each of the following numbers appears. To what does it refer?**

Number	Verse	What it refers to
7 (3 times)		
600		
40		
150		

/6

Q: Who closed the door of the Ark?

/1

Q: How many people were saved in the Ark?

/1

(Work it out from the Bible Reading or look at 1 Peter 3: 20)

Q: Which verse tells us that the whole earth was covered by floodwaters?

/1

God waited patiently until it was completed (1 Peter 3: 20) and Noah preached righteousness to the people (2 Peter 2: 5). However, not one, apart from his immediate family, repented and believed. All the people just carried on in their sinful ways.

**Q: In the Key Verse, Noah had something which both Abel and Enoch also had.
What was that?**

/1

He believed God and obeyed what God told him to do, so he and his family were saved. All the people around him had rejected God. So they had to be punished by God for their sin. If we want to be saved from our sin, we must believe in the Lord Jesus Christ (Acts 16: 31).

Q: From what two sources did the water come? (See verse 11)

/2

The whole earth was covered by the floodwaters (verse 19).

Q: How much above the highest mountains did the water rise?

/1

The Ark and its strange cargo was borne along by the floodwaters, watched over and kept safe by God. God watches over us too, through our lives, and keeps us safe in His hand if we trust in Him.

TOTAL:

STUDY 4: Noah and his family

Worshipping God



READ:
Genesis 8: 1-22
9: 11-16



KEY VERSE:
Ephesians 2: 8

For 40 days torrents of water flooded the earth covering even the highest mountains. But God had not forgotten Noah and everything that was in the Ark!

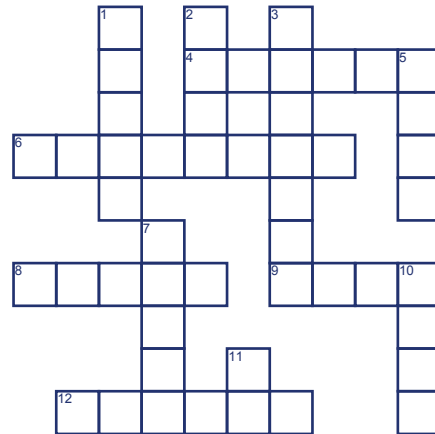


Suggested Further Reading: • John 3: 36 • Hebrews 11: 6

Q: CROSSWORD

Clues Down

- 1. A dove brought a leaf from this tree to Noah.
- 2. This stopped falling from the sky.
- 3. This was the sign God put in the sky.
- 5. The flood covered the _ _ _ _ of the mountains.
- 7. The first bird Noah released from the Ark.
- 10. The second bird Noah released from the Ark.
- 11. Noah and his family were told to _ _ out of the Ark.



Clues Across

- 4. The Ark came to rest on these mountains.
- 6. Another word for promise. (Used in 9: 11)
- 8. Noah built this to sacrifice burnt offerings on.
- 9. God sent this over the earth to dry the waters.
- 12. Noah opened this to send out the birds.

/6

Q: When did the Ark come to rest on Mount Ararat?

/1

Q: When did the mountaintop become visible again?

/1

Q: When had the water gone away? (see verse 13)

/1

Q: When was the earth completely dry?

/1

The first thing Noah did on setting foot on dry land once again was to build an altar on which to offer sacrifices to the Lord. This was a gesture of thanksgiving and worship to God. God had saved him and his family from His judgment on a sinful world.

Q: As God saw the sacrifice, what did He say He would never do again?

/1

Q: What EIGHT things did God promise would never cease?

/4

This is an everlasting covenant between God and Noah and all living creatures. God always keeps His promises. God also makes many promises to us in His Word.

Q: Look at John 3: 36. What does the Lord Jesus promise in this verse:

1. To those who believe in the Son?

2. To those who do not believe in (reject) the Son?

/2

Q: God also made a promise to Noah and all following generations that He would never flood the world again. Of what was the rainbow a sign or token?

/2

There was only one way that Noah and his family could have been saved from the flood. God planned and provided the way. He has also planned and provided just one way for each of us to be saved from the judgment to come.

Jesus said,

“I am the way”. (John 14: 6)

“There is salvation in no one else”. (Acts 4: 12)

Q: Look at the Key Verse and fill in the two missing words below.

“For it is by God’s that you have been saved, through .”

/1

The salvation God offers us is based on God’s promises and God’s grace. We do not deserve His salvation and we can do nothing to earn it. It is the gift of God through faith. FAITH is the Key Word in each of these four studies. It has been in each of the four Key Verses. Do you know what faith in God means?

Have you, like Noah, taken God’s Word to heart? We can please God when we read and obey what He says in His Word.

TOTAL:

Marks (to be entered by leader)

Leader’s comments:

Return your lessons to:

STUDY 1: _____

STUDY 2: _____

STUDY 3: _____

STUDY 4: _____

Total

Grand Total